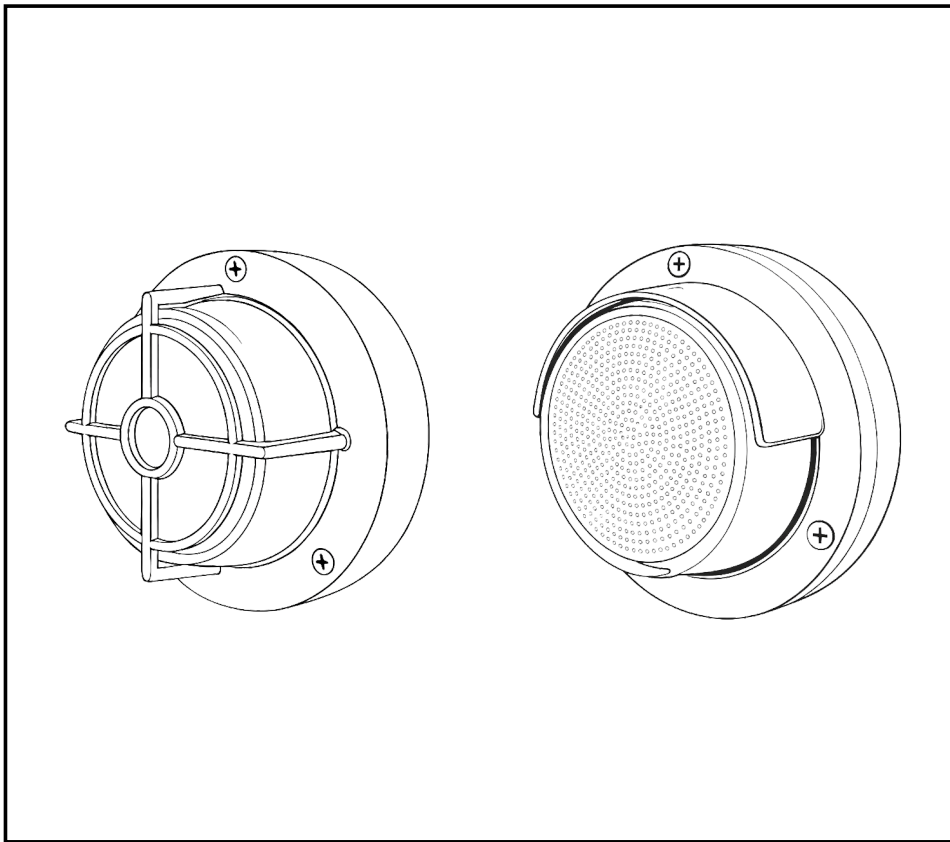




# Navigator



## Walkway Eyelid & Walkway Guard Installation Guide

Applies to models: 09748, 09749, 09750, 09742, 09743, 09744

# Components

- 1x Light fitting.
- 2x Pozi wood screws
- 2x Black plastic wall plugs
- 2x Rubber heat shrink

## Electrical safety warning

- Always disconnect the main power before starting any electrical work.
- Ensure the installation site is isolated and safe.
- All work must comply with IET Wiring Regulations (BS7671).
- If the product is not double insulated, it must be earthed.
- Electrical installations should be carried out by a Competent Person or someone with relevant experience, and in accordance with the appropriate Competent Person Scheme.
- The circuit must be protected by a Residual Current Device (RCD) that is functioning correctly and has been tested by a qualified electrician.
- Before installing the lighting unit, consult safety guidance from the Health and Safety Executive.

# Installation Instructions

**IMPORTANT:** If you are unsure at any point, STOP and seek professional assistance. Do not proceed unless you are confident.

1. Use a screwdriver to remove the screws connecting the lamp cover (net) to the base.
2. Open the base to access the internal wiring and locate the rubber grommets.
3. After marking and drilling your chosen spot, carefully insert the wall plugs.
4. Mount the base to the ceiling, securing it with the plugs, rubber grommets, and screws.
5. Ensure the rubber is centered and that the hole is slightly smaller than the rubber for a snug fit.
6. Attach the lamp to the base.
7. Align the rubber between the base and the lamp cover before securing it.
8. Double-check that the rubber remains properly centered.
9. Confirm the glass and rubber are securely installed. Tighten the screws gently—first to the right, then to the left—to ensure the rubber is evenly compressed.

The manufacturer bears no responsibility for any injury or damage resulting from incorrect installation or use of the product.



Unit 6 Fen End, Stotfold, Hitchin, Herts. SG5 4BA

Tel: 01462 731173 | Email: [sales@navigatorlighting.co.uk](mailto:sales@navigatorlighting.co.uk) | Website:  
[navigatorlighting.co.uk](http://navigatorlighting.co.uk) V2.0 30.03.2026